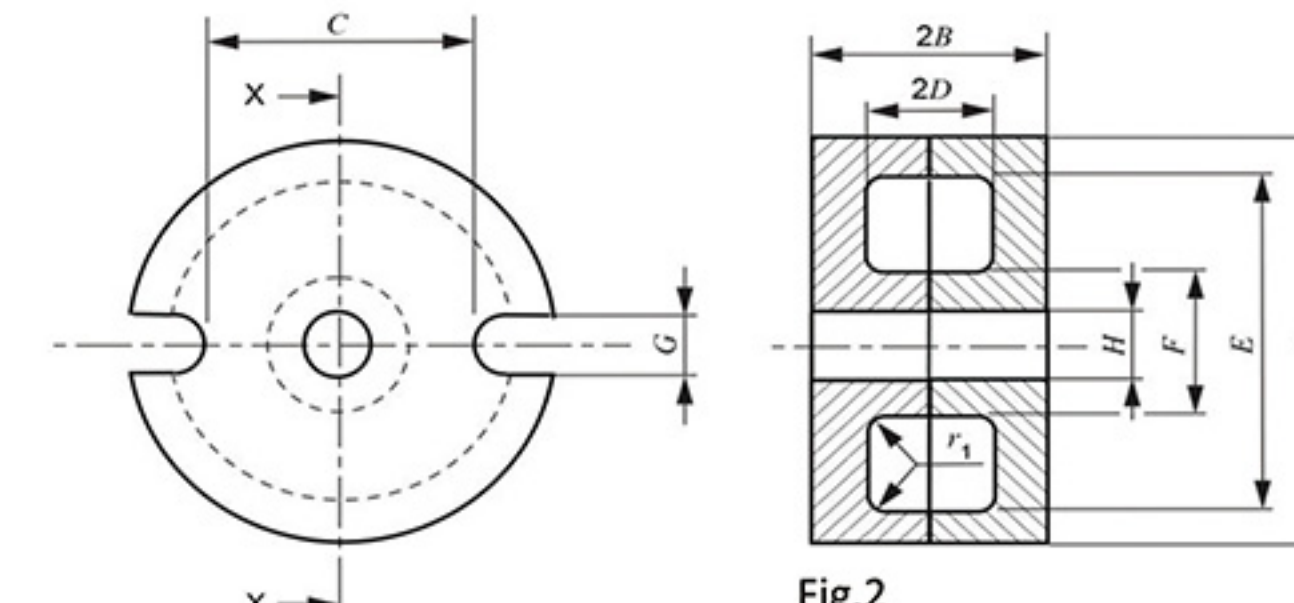
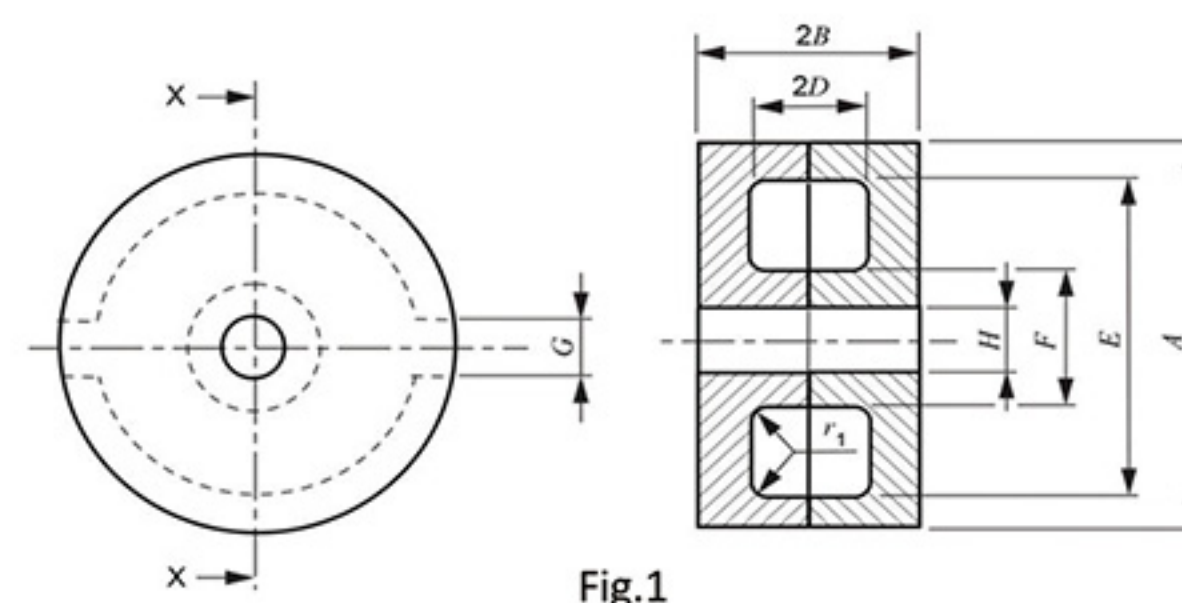


# FERRITE CORE | POT-Core

磁芯品名规则说明 (例)

SMP40 P9/5 - Z 或 A200

材质      磁芯形状      AL 值 (Z: 无气隙 A200:AL 值为200nH/N<sup>2</sup>)



NO.	品名		形状 图示	尺寸规格(Unit : mm)								磁芯 常数 C1 (mm <sup>-1</sup> )	实效截面 面积 Ae (mm <sup>2</sup> )	最小实效截 面面积 Aemin (mm <sup>2</sup> )	实效磁路 长度 Le (mm)	实效 体积 Ve (mm <sup>3</sup> )	重量 Weight (g/Pr)	电气特性		IEC 63093- 8:2018 参考名称
	磁芯形状	材质		A	E	F	H	2B	2D	C	G							Al-value(nH/N <sup>2</sup> )		
																		※1kHz, 0.5mA		
																		无气隙	带气隙	
1	P3.3/2.6	SMP40 SMP95	Fig.1	3.24±0.06	2.55±0.05	1.35±0.05		2.55±0.05	1.8±0.1		1.05	3.136	1.77	1.43	5.56	9.87	0.1			P3.3/2.6
2	P4.6/3.1	SMP40 SMP95	Fig.1	4.5±0.1	3.575±0.075	1.95±0.05		3.05±0.05	2.2±0.1		1.4	2.088	3.43	2.60	7.16	24.6	0.3			P4.6/3.1
3	P5.8/3.3	SMP40 SMP95	Fig.1	5.725±0.075	4.55±0.05	2.45±0.05	1.00±0.05	3.25±0.05	2.3±0.1		1.7	1.632	4.73	3.66	7.72	36.5	0.4	490min 600min		P5.8/3.3
4	P7/4	SMP40 SMP95	Fig.1	7.25±0.10	5.875±0.075	2.9±0.1	1.10±0.05	4.05±0.05	2.9±0.1		1.9	1.358	7.27	5.79	9.88	71.9	0.6	690min 850min		P7/4
5	P9/5	SMP40 SMP95	Fig.2	9.15±0.15	7.65±0.15	3.8±0.1	2.1±0.1	5.25±0.15	3.75±0.15	6.75	2	1.215	10.20	7.88	12.40	126	0.8	825min 1020min		P9/5
6	P11/7	SMP40 SMP95	Fig.2	11.1±0.2	9.2±0.2	4.6±0.1	2.1±0.1	6.45±0.15	4.55±0.15	7.25	2.2	0.942	16.40	13.20	15.50	254	1.8	1250min 1400min		P11/7
7	P14/8	SMP40 SMP95	Fig.2	14.05±0.25	11.8±0.2	5.9±0.1	3.1±0.1	8.35±0.15	5.8±0.2	9.35	3.2	0.766	25.60	19.80	19.60	502	3.2	1610min 1800min		P14/8
8	P18/11	SMP40 SMP95	Fig.2	18.0±0.4	15.15±0.25	7.45±0.15	3.1±0.1	10.55±0.15	7.4±0.2	12.65	3.55	0.579	44.50	36.00	25.80	1150	6.7	2400min 2600min		P18/11
9	P22/13	SMP40 SMP95	Fig.2	21.6±0.4	18.2±0.3	9.25±0.15	4.55±0.15	13.35±0.15	9.35±0.15	14.9	3.7	0.485	64.70	50.90	31.30	2030	12.7	2990min 3200min		P22/13
10	P26/16	SMP40 SMP95	Fig.2	25.5±0.5	21.6±0.4	11.3±0.2	5.55±0.15	16.1±0.2	11.2±0.2	18.5	3.7	0.392	95.70	76.10	37.50	3790	21.1	3810min 4000min		P26/16
11	P30/19	SMP40 SMP95	Fig.2	30.0±0.5	25.4±0.4	13.3±0.2	5.55±0.15	18.8±0.2	13.2±0.2	21.5	4.4	0.326	138.00	115.00	45.10	6230	35.3	5450min 5600min		P30/19
12	P36/22	SMP40 SMP95	Fig.2	35.6±0.6	30.4±0.5	15.9±0.3	5.55±0.15	21.7±0.3	14.8±0.2	25.6	4.8	0.258	205.00	173.00	52.90	10800	60	6250min 6400min		P36/22